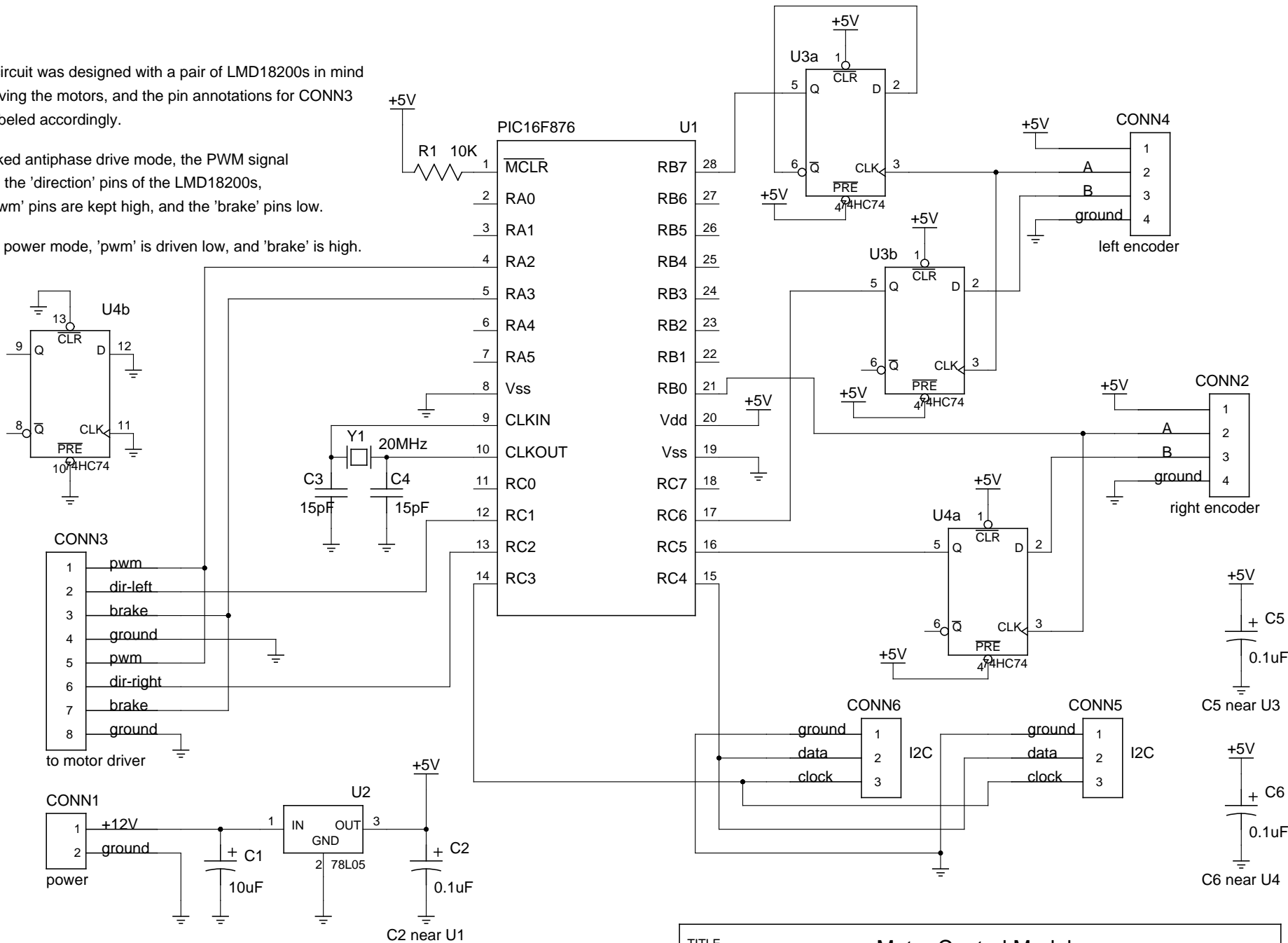


This circuit was designed with a pair of LMD18200s in mind for driving the motors, and the pin annotations for CONN3 are labeled accordingly.

In locked antiphase drive mode, the PWM signal drives the 'direction' pins of the LMD18200s, the 'pwm' pins are kept high, and the 'brake' pins low.

In low power mode, 'pwm' is driven low, and 'brake' is high.



TITLE		<b>Motor Control Module</b>	
FILE:	motor_control_module.sch	Copyright (C) 2003, Dafydd Walters	
DATE	\$Date: 2003/10/08 08:39:16 \$	REVISION:	\$Revision: 1.6 \$
PAGE	1 OF 1	DRAWN BY:	Dafydd Walters